

Watts Filters

F602 Compact

Features:

- 40 micron polypropylene element
- 4.4 oz. bowl
- zinc body
- maximum operating:
 - temperature range: **40°F (4°C) to 125°F (52°C)**
 - maximum pressure: **150 PSIG (10.2 bar)**



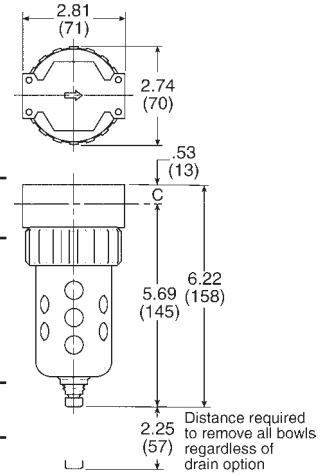
Polycarbonate bowl with guard

Polycarbonate Bowl with Metal Bowl Guard

Size	Flow (SCFM)	Automatic Drain Part #	Manual Drain Part #
¼"	53	F602-02BJR	F602-02BJ
⅜"	80	F602-03BJR	F602-03BJ
½"	85	F602-04BJR	F602-04BJ

Zinc Bowl with Sight Glass

Size	Flow (SCFM)	Automatic Drain Part #	Manual Drain Part #
¼"	53	F602-028A	F602-024A
⅜"	80	F602-038A	F602-034A
½"	85	F602-048A	F602-044A



SCFM ratings given at 90 PSIG inlet pressure.

F602 Hi-Flow

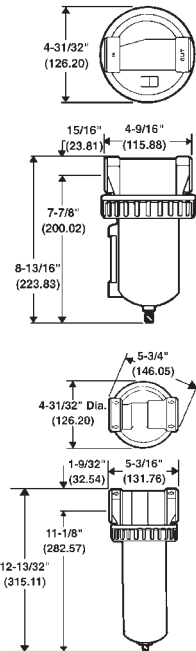
Features:

- 40 micron polypropylene element
- automatic drain operating conditions:
 - temperature range: **40°F (4°C) to 120°F (49°C)**
 - maximum operating: **175 PSIG (12 bar)**
- manual drain operating conditions:
 - temperature range: **40°F (4°C) to 150°F (66°C)**
 - maximum operating: **250 PSIG (17 bar)**



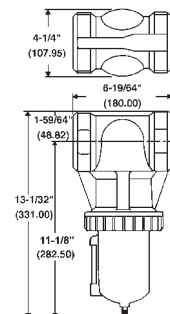
Zinc Body with Sight Glass and 16" Bowl

Size	Flow (SCFM)	Automatic Drain Part #	Manual Drain Part #
¾"	270	F602-06WJR	F602-06WJ
1"	300	F602-08WJR	F602-08WJ
1½"	450	F602-12WJR	F602-12WJ



Aluminum Body with 26" Bowl

Size	Flow (SCFM)	Automatic Drain Part #	Manual Drain Part #
2"	1200	F602-16WJR	F602-16WJ



See pages 433 to 434 for accessories.

⚠ FRL's are designed for air service only, unless otherwise indicated.

SCFM ratings given at 90 PSIG inlet pressure.